



Operator's Manual

Super-Straddle

Serial Number Range

after SS08-002975

CE

with
Maintenance
Information

Second Edition
First Printing
Part No. 133409

Important

Read, understand and obey these safety rules and operating instructions before operating this machine. Only trained and authorized personnel shall be permitted to operate this machine. This manual should be considered a permanent part of your machine and should remain with the machine at all times. If you have any questions, call Genie Industries.

Contents

	Page
Introduction	1
Symbols and Hazard Pictorials Definitions	3
General Safety	4
Work Area Safety	5
Assembly and Disassembly	7
Legend	9
Inspections	10
Operating Instructions	20
Specifications	23

Contact us:

Internet: <http://www.genielift.com>
 e-mail: techpub@genieind.com

Copyright © 1992 by Genie Industries

Second Edition: First Printing, December 2008

"Genie" is a registered trademarks of Genie Industries in the U.S.A. and many other countries.

These machines comply with



Printed on recycled paper

Printed in U.S.A.

Introduction

Owners, Users and Operators:

Genie appreciates your choice of our machine for your application. Our number one priority is user safety, which is best achieved by our joint efforts. We feel that you make a major contribution to safety if you, as the equipment users and operators:

- 1 **Comply** with employer, job site and governmental rules.
- 2 **Read, understand and follow** the instructions in this and other manuals supplied with this machine.
- 3 **Use good safe work practices** in a commonsense way.
- 4 **Only have trained/certified operators**, directed by informed and knowledgeable supervision, running the machine.

If there is anything in this manual that is not clear or which you believe should be added, please contact us.

Internet: www.genielift.com

E-mail: techpub@genieind.com



Danger

Failure to obey the instructions and safety rules in this manual will result in death or serious injury.

Do Not Operate Unless:

- You learn and practice the principles of safe machine operation contained in this operator's manual.

1 Avoid hazardous situations.

Know and understand the safety rules before going on to the next section.

- 2 Always perform a pre-operation inspection.
- 3 Always perform function tests prior to use.
- 4 Inspect the workplace.
- 5 Only use the machine as it was intended.

- You read, understand and obey the manufacturer's instructions and safety rules—safety and operator's manuals and machine decals.
- You read, understand and obey employer's safety rules and worksite regulations.
- You read, understand and obey all applicable governmental regulations.
- You are properly trained to safely operate the machine.

Introduction

Hazard Classification

Genie uses symbols, color coding and signal words to identify the following:



Safety alert symbol—used to alert you to potential personal injury hazards. Obey all safety messages that follow this symbol to avoid possible injury or death.

▲ DANGER

Red

Indicates a hazardous situation which, if not avoided, will result in death or serious injury.

▲ WARNING

Orange

Indicates a hazardous situation which, if not avoided, could result in death or serious injury.

▲ CAUTION

Yellow

Indicates a hazardous situation which, if not avoided, could result in minor or moderate injury.

NOTICE

Blue

Indicates a property damage message.

Intended Use



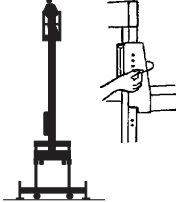




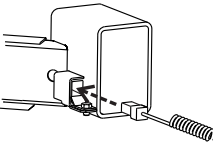
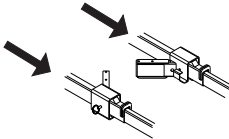
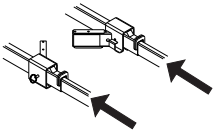

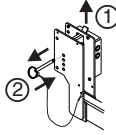
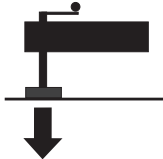
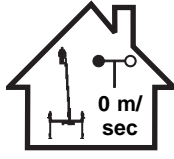
This machine is intended to be used only to lift personnel, along with their tools and materials to an aerial work site.

The winch on the Super Straddle is only intended to lift the Genie AWP to the appropriate height. It is not intended to lift people.

Safety Sign Maintenance

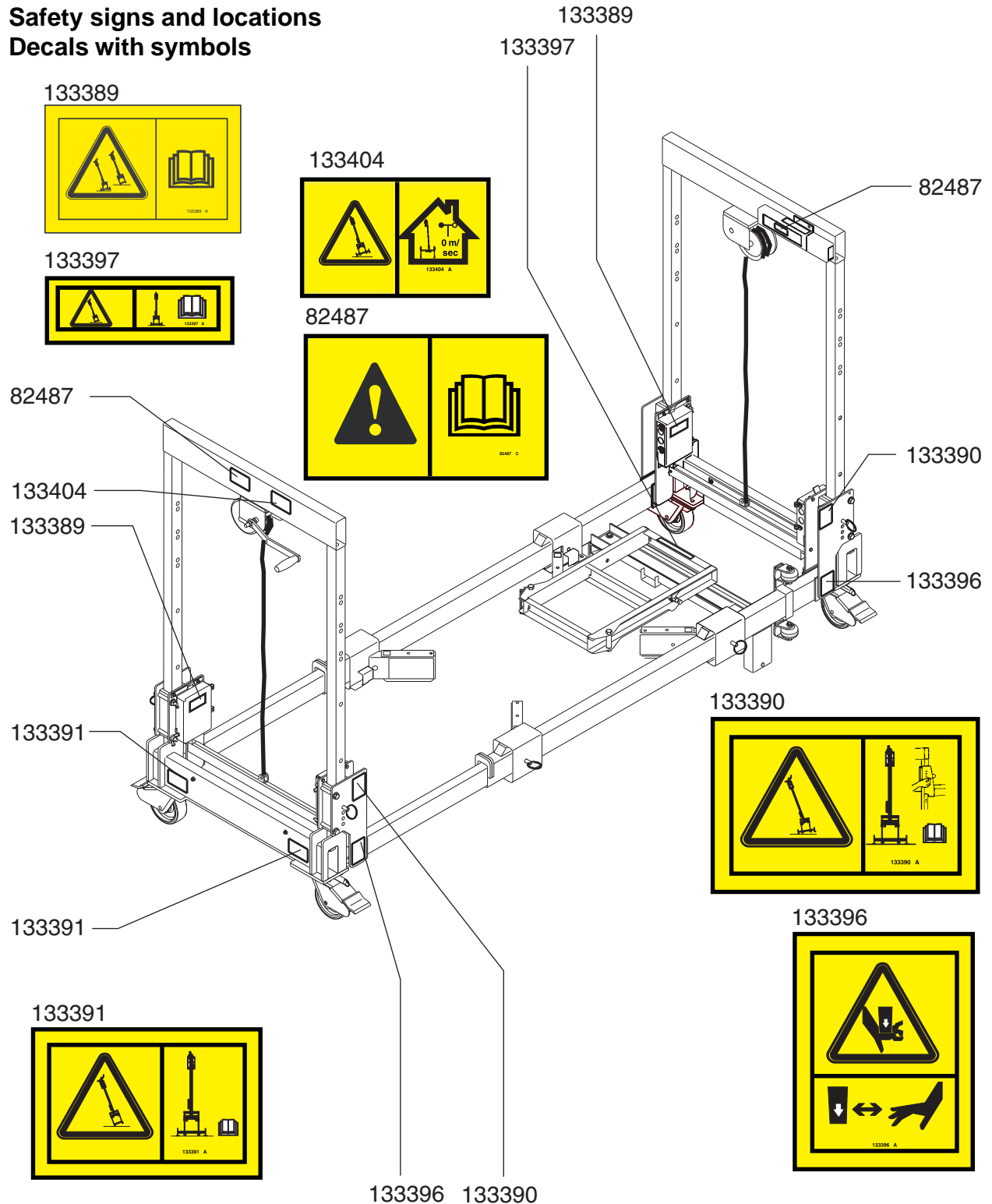
Replace any missing or damaged safety signs. Keep operator safety in mind at all times. Use mild soap and water to clean safety signs. Do not use solvent-based cleaners because they may damage the safety sign material.

Symbol and Hazard Pictorials Definitions

 <p>Read the operator's manual.</p>	 <p>Tip-over Hazard</p>	 <p>Insert retaining pins.</p>	 <p>Tip-over Hazard</p>	 <p>Insert outriggers.</p>
 <p>Crush hazard</p>	 <p>Keep away from moving parts.</p>	 <p>Straddle socket plug</p>	 <p>Base frame</p>	 <p>Telescoping base frame</p>
 <p>Maximum wind speed.</p>	 <p>Pull gray tab to release pin.</p>	 <p>Outrigger load</p>	 <p>Indoor Use Only</p>	

General Safety

Safety signs and locations Decals with symbols



Work Area Safety

⚠ Tip-over Hazards

Do not use the Super-Straddle except with a Genie AWP.

Do not use on a sloping surface unless all four swivel casters are locked in a position crossing the slope and their brakes are applied.

Do not operate the Super-Straddle unless all four Genie AWP outriggers are properly installed in the Super-Straddle base, screw jack pads are in firm contact with the ground and the straddle platform is level.

Do not operate the machine unless all retaining pins are properly installed.

Do not operate the Super-Straddle, or adjust or remove outriggers when the platform is occupied or elevated.

Do not operate the machine on a slope unless it is positioned with the length running with the slope and the straddle platform is level.

Do not move or operate the machine on stairs.

Do not use the Genie Super Straddle outdoors.

When raising the AWP platform, follow the ratings for allowable side force and number of occupants in the Genie AWP operator's manual.

Some Genie AWP outriggers are rated for outdoor use. When using these outriggers with the Super-Straddle, the Super-Straddle must only be used indoors.

⚠ Collision Hazards

Be aware of overhead obstructions. The Super-Straddle adds 1.2 m to the working height of the Genie AWP being used.

⚠ Crushing Hazards

Keep hands away from end frame plates and moving parts when lowering the Super-Straddle.

⚠ Electrocuting Hazards

The Super-Straddle is not electrically insulated and neither by itself or together with the Genie AWP will not provide protection from contact with or proximity to electrical current.



Work Area Safety

⚠ Damaged Machine Hazards

Do not use a damaged or malfunctioning machine.

Do not use the machine if either winch cable is worn, frayed or kinked.

Conduct a thorough pre-operation inspection of the machine and test all functions before each work shift. Immediately tag and remove from service a damaged or malfunctioning machine.

Be sure all maintenance has been performed as specified in this manual and the appropriate service manual.

Be sure all decals are in place and legible.

Be sure the Genie AWP operator's, safety, and responsibilities manuals are complete, legible and in the storage container located on the AWP platform.

Be sure the Super-Straddle operator's manual is complete, legible and in the storage container located on the Super-Straddle.

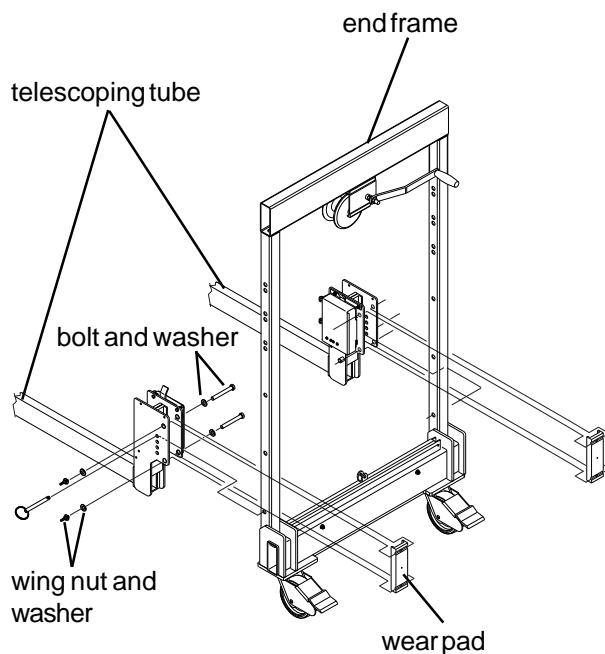
Maintain proper lubrication on the winches. Do not allow oil or grease on the braking surfaces.



Assembly and Disassembly

To move the Super-Straddle through a doorway or to set it up after shipping, follow these instructions.

- ☑ Assemble or disassemble the Super-Straddle only on a firm, level surface.
- ☑ Two people are required to safely maneuver and support the Super-Straddle components through this procedure.
- ☑ Do not allow Super-Straddle components to drop.

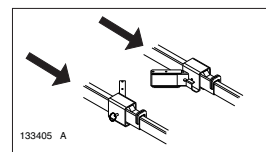


Assembly and Disassembly

Assembly

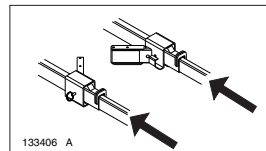
- 1 Apply the caster brakes. Set the caster swivel locks parallel to the straddle platform tubes.
- 2 Both winch cables must be fully lowered.
- 3 Be sure that the telescoping tubes are inserted and pinned to the same length in the straddle platform.

- 4 Move the end frame marked Base Frame (refer to decal on base frame) to the end of the straddle platform nearest the cross member.



- 5 One person must support the end frame while the other attaches it to the straddle platform. The winch handle should point away from the machine.
- 6 Position the wear pads and attach each one with the supplied bolts, washers and wing nuts.

- 7 Move the end frame marked Telescoping Base Frame (refer to decal on telescoping base frame) to the other end of the straddle platform and repeat steps 5 and 6.



- 8 Make sure all wing nuts are tight.
- 9 Connect the electrical cords.

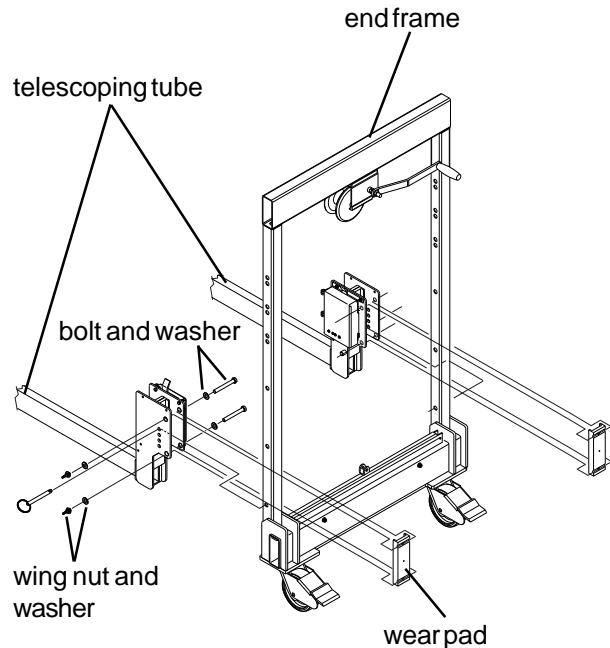
Assembly and Disassembly

Disassembly

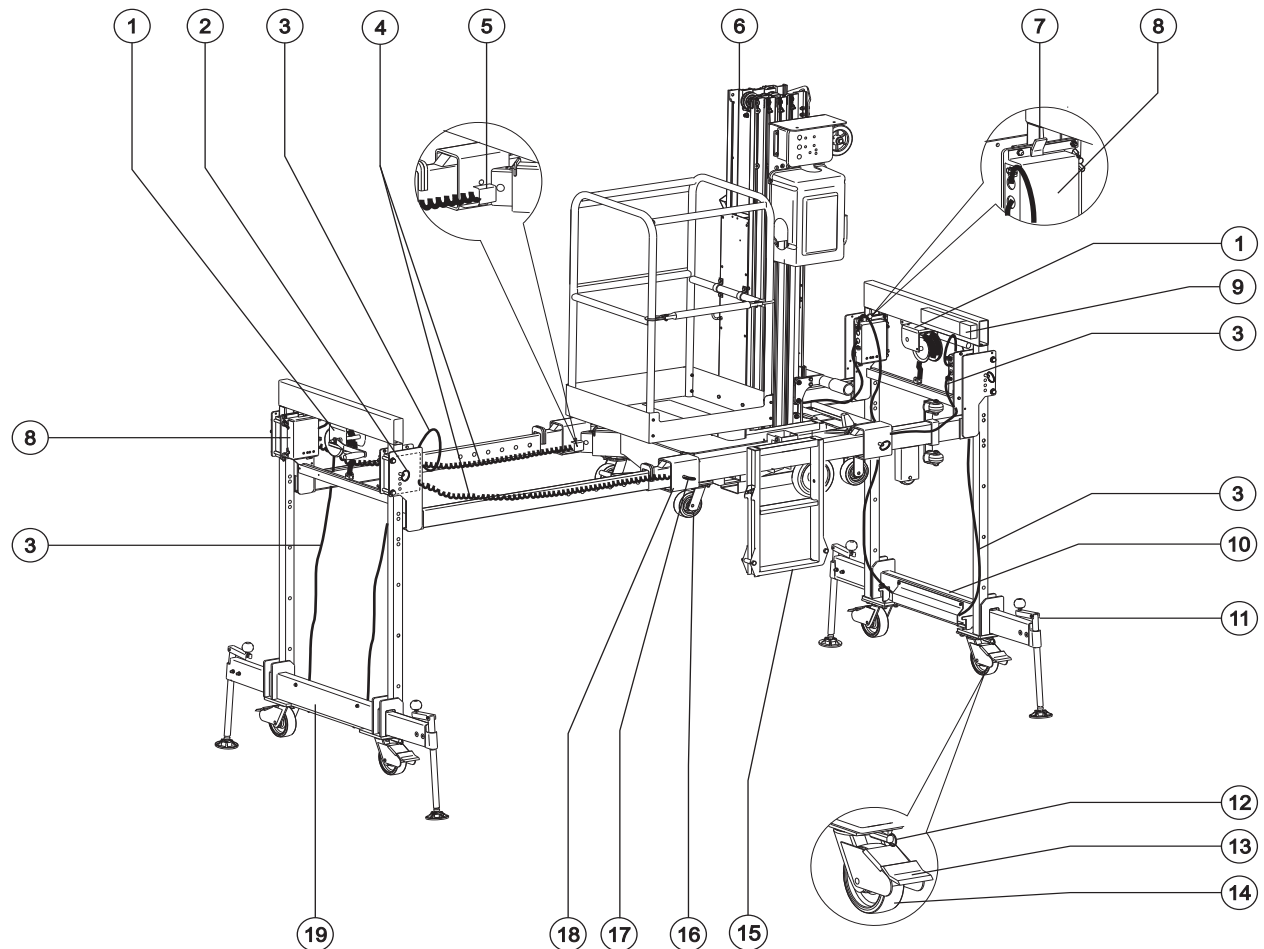
- 1 Apply the caster brakes. Set the caster swivel locks parallel to the straddle platform tubes.
- 2 The straddle platform must be fully lowered.
- 3 Disconnect the electrical cables.
- 4 Select an end. While one person supports the end frame, the other can remove the bolts and wear pads, and then they can carefully set the straddle platform on the ground. Set the end frame aside.
- 5 Repeat step 3 for the opposite end frame.
- 6 Keep the bolts, washers, wing nuts and wear pads together.

Passing Through Doorways

- 1 Complete the disassembly procedure.
- 2 Release the caster brakes and carefully roll each end frame through the doorway to the assembly area.
- 3 Remove the telescoping tubes from the straddle platform and carry them to the assembly area.
- 4 Two people should carefully lift the straddle platform onto its side casters and roll it through the doorway.
- 5 Follow the assembly procedure.



Legend



- | | |
|--|----------------------------------|
| 1 Winch | 11 Genie AWP outrigger |
| 2 Frame retaining pin | 12 Caster swivel lock |
| 3 Electrical cord | 13 Caster brake |
| 4 Coil cord | 14 Caster |
| 5 Straddle socket plug | 15 Ladder |
| 6 Genie AWP | 16 Side casters |
| 7 Gray tab for releasing or inserting retaining pins | 17 Straddle socket retaining pin |
| 8 Retaining pin interlock box | 18 Straddle socket |
| 9 Manual storage container | 19 Telescoping base frame |
| 10 Base frame | |



Inspections



Do Not Operate Unless:

- You learn and practice the principles of safe machine operation contained in this operator's manual.
 - 1 Avoid hazardous situations.
 - 2 Always perform a pre-operation inspection.**
- Know and understand the pre-operation inspection before going on to the next section.**
- 3 Always perform function tests prior to use.
- 4 Inspect the workplace.
- 5 Only use the machine as it was intended.

Pre-operation Inspection Fundamentals

It is the responsibility of the operator to perform a pre-operation inspection and routine maintenance.

The pre-operation inspection is a visual inspection performed by the operator prior to each work shift. The inspection is designed to discover if anything is apparently wrong with a machine before the operator performs the function tests.

The pre-operation inspection also serves to determine if routine maintenance procedures are required. Only routine maintenance items specified in this manual may be performed by the operator.

Refer to the list on the next page and check each of the items.

If damage or any unauthorized variation from factory delivered condition is discovered, the machine must be tagged and removed from service.

Repairs to the machine may only be made by a qualified service technician, according to the manufacturer's specifications. After repairs are completed, the operator must perform a pre-operation inspection again before going on to the function tests.

Scheduled maintenance inspections shall be performed by qualified service technicians, according to the manufacturer's specifications and the requirements listed in the responsibilities manual.

Inspections

Pre-operation Inspection

- ❑ Be sure that the operator's, safety and responsibilities manuals are complete, legible and in the storage container located in the AWP platform.
- ❑ Be sure that all decals are legible and in place. See Inspections section.

Check the following components or areas for damage, improperly installed or missing parts and unauthorized modifications:

- ❑ Electrical components, wiring and electrical cables
- ❑ Winches
- ❑ Cables
- ❑ Wearpads
- ❑ Nuts, bolts and other fasteners

Check entire machine for:

- ❑ Cracks in welds or structural components
- ❑ Dents or damage to machine
- ❑ Excessive rust, corrosion or oxidation
- ❑ Be sure that all structural and other critical components are present and all associated fasteners and pins are in place and properly tightened.

Inspections



Do Not Operate Unless:

- You learn and practice the principles of safe machine operation contained in this operator's manual.
 - 1 Avoid hazardous situations.
 - 2 Always perform a pre-operation inspection.
 - 3 Always perform function tests prior to use.**
- Know and understand the function tests before going on to the next section.**
 - 4 Inspect the workplace.
 - 5 Only use the machine as it was intended.

Function Test Fundamentals

The function tests are designed to discover any malfunctions before the machine is put into service. The operator must follow the step-by-step instructions to test all machine functions.

A malfunctioning machine must never be used. If malfunctions are discovered, the machine must be tagged and removed from service. Repairs to the machine may only be made by a qualified service technician, according to the manufacturer's specifications.

After repairs are completed, the operator must perform a pre-operation inspection and function tests again before putting the machine into service.

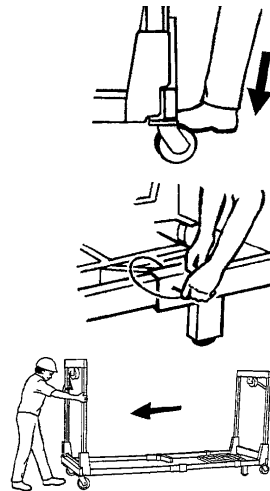
Inspections

Setup

1 Position the Super-Straddle on a firm, level surface.

2 Apply the brakes to both swivel casters on the base frame.

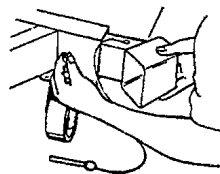
3 Remove the straddle socket retaining pins from the base frames and separate the base frames.



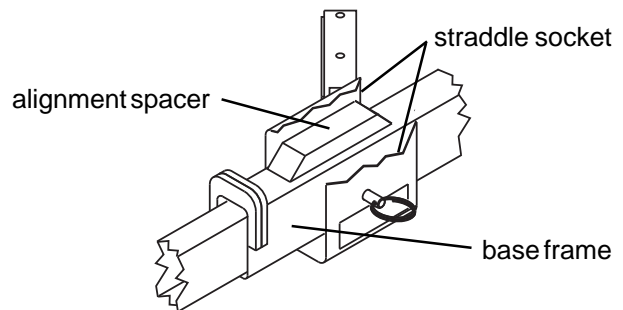
4 Remove the ladder from the base frame cross member and set it aside.

5 Release both swivel caster brakes and align the base frame behind the Genie AWP.

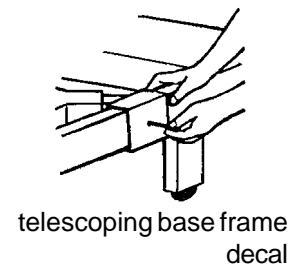
6 Remove all four straddle sockets from the base frame and install them in the Genie AWP outrigger sockets. The Genie AWP must be fully lowered.



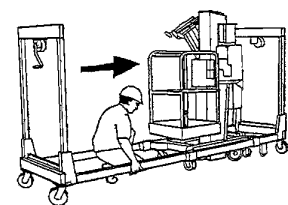
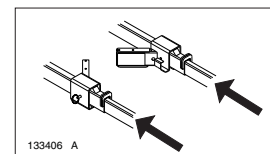
7 Push the base frame carefully through all four straddle sockets. This may require two people. Be sure the straddle sockets are over the alignment spacers on the base frame.



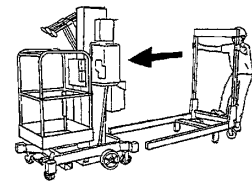
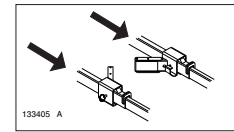
8 Insert the straddle socket retaining pins through the two straddle sockets closest to the fixed casters. Be sure the holes are aligned and the pin is completely inserted.



9 Align the telescoping base frame in front of the Genie AWP, and then insert and push it into the base frame.



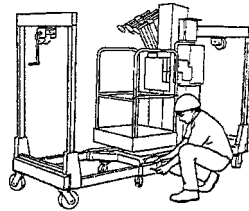
base frame decal



Inspections

10 Adjust the Super-Straddle to the desired length.

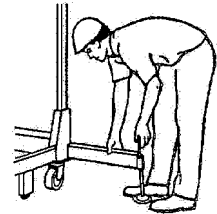
11 Insert the straddle socket retaining pins (attached to the straddle sockets at the front of the Genie AWP) through the straddle length adjustment holes.



12 Unhook the cords from the storage positions, and connect the plugs in each of the straddle sockets.

Function Tests

13 Install a Genie AWP outrigger at each corner of the Super-Straddle. Adjust the outriggers to level the machine and raise the casters slightly off the ground.



Note: The outriggers must be the correct size for the Genie AWP.

14 Crank the winch and raise the straddle platform about 2.5 cm, enough to allow the frame retaining pins at each corner of the Super-Straddle to be inserted into the first set of holes. Do not raise the straddle platform past the first set of holes.

15 To insert a frame retaining pin, align the holes and lift up on the gray tab on the pin retaining interlock box. The pin is fully inserted when the gray tab stays up.

16 Insert frame retaining pins at each corner of the Super-Straddle.

Note: Be sure to use the same hole position for both pins on one end frame.

17 At the interlock display of the Genie AWP, insert the key and turn to platform control.

18 Pull out the red Emergency Stop button to the on position.

⊙ Result: The power light and all four outrigger interlock display lights should come on.

Inspections

Test Retaining Pin Interlock

- 19 At the platform controls of the Genie AWP, pull out the red Emergency Stop button.
- 20 Push in the control activate button and rotate the up/down switch in the direction of intended travel.
 - ⦿ Result: The up/down functions should operate.
- 21 Remove a frame retaining pin from one corner of the Super-Straddle. The corresponding interlock display light should be off.
- 22 Push in the control activate button and rotate the up/down switch in the direction of intended travel.
 - ⦿ Result: The up function should not operate.
- 23 Insert the frame retaining pin.
- 24 Repeat this procedure for each frame retaining pin.

Test Outrigger Interlock

- 25 Pull out the red Emergency Stop button at the platform controls.
- 26 Push in the control activate button and rotate the up/down switch in the direction of intended travel.
 - ⦿ Result: The up/down functions should operate.
- 27 Unscrew one leveling jack until the corresponding interlock display light turns off.
- 28 Push in the control activate button and rotate the up/down switch in the direction of intended travel.
 - ⦿ Result: The up/down function should not operate.
- 29 Return the leveling jack to the previous setting and check the bubble level.
- 30 Repeat this procedure for each outrigger.

Inspections



Do Not Operate Unless:

- You learn and practice the principles of safe machine operation contained in this operator's manual.

- 1 Avoid hazardous situations.
- 2 Always perform a pre-operation inspection.
- 3 Always perform function tests prior to use.

4 Inspect the workplace.

Know and understand the workplace inspection before going on to the next section.

- 5 Only use the machine as it was intended.

Fundamentals

The workplace inspection helps the operator determine if the workplace is suitable for safe machine operation. It should be performed by the operator prior to moving the machine to the workplace.

It is the operator's responsibility to read and remember the workplace hazards, then watch for and avoid them while moving, setting up and operating the machine.

Inspections

Workplace Inspection

Be aware of and avoid the following hazardous situations:

- drop-offs or holes
- bumps, floor obstructions or debris
- improper use on sloped surfaces
- unstable or slippery surfaces
- overhead obstructions and high voltage conductors
- hazardous locations
- inadequate surface support to withstand all load forces imposed by the machine
- wind and weather conditions
- the presence of unauthorized personnel
- other possible unsafe conditions

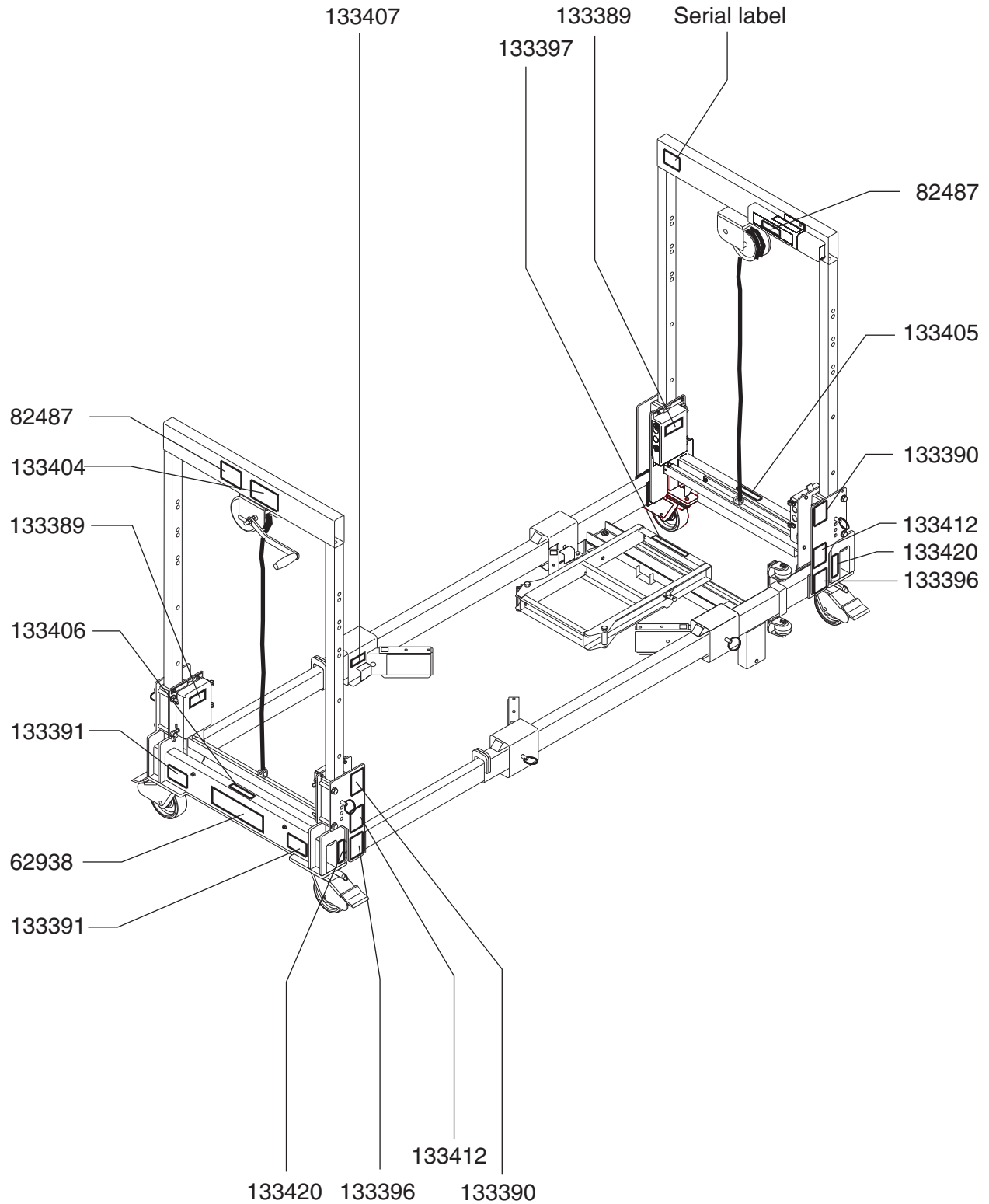
Inspections

Inspection for Decals with Symbols

Determine whether the decals on your machine have words or symbols. Use the appropriate inspection to verify that all decals are legible and in place.

Part No.	Description	Quantity
62938	Cosmetic - Genie Super-Straddle	2
82487	Label - Read the Manual	3
133389	Label - Tip-over Hazard, Limit Switches	4
133390	Label - Install Pins	4
133391	Label - Install Outriggers	4
133396	Label - Crushing Hazard	4
133397	Label - Install Outriggers (Ladder)	1
133404	Label - Indoor Use Only	2
133405	Label - Base Frame	1
133406	Label - Telescoping Base Frame	1
133407	Label - Straddle Socket Plug	4
133412	Label - Retaining Pin Release	4
133420	Label - Outrigger Load	4

Inspections



Operating Instructions



Do Not Operate Unless:

- You learn and practice the principles of safe machine operation contained in this operator's manual.
 - 1 Avoid hazardous situations.
 - 2 Always perform a pre-operation inspection.
 - 3 Always perform function tests prior to use.
 - 4 Inspect the workplace.
 - 5 Only use the machine as it was intended.**

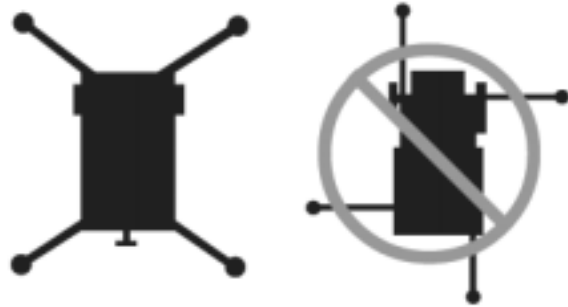
Fundamentals

The Operating Instructions section provides instructions for each aspect of machine operation. It is the operator's responsibility to follow all the safety rules and instructions in the operator's, safety and responsibilities manuals.

Using the machine for anything other than lifting personnel, along with their tools and materials, to an aerial work site is unsafe and dangerous.

Only trained and authorized personnel should be permitted to operate a machine. If more than one operator is expected to use a machine at different times in the same work shift, they must all be qualified operators and are all expected to follow all safety rules and instructions in the operator's, safety and responsibilities manuals. That means every new operator should perform a pre-operation inspection, function tests, and a workplace inspection before using the machine.

Use only Genie AWP with an X outrigger pattern.



Operating Instructions

Machine Setup

See Setup section in the Function Tests section.

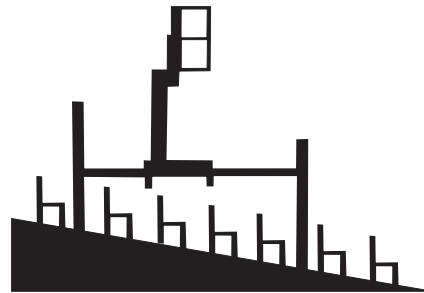
Positioning, Raising and Leveling the Super-Straddle

- 1 Be sure the Genie AWP is fully lowered.
- 2 Raise the straddle platform just enough to lift the Genie AWP casters off the ground by turning each winch handle in a clockwise rotation. If the frame retaining pins are inserted, remove all four frame retaining pins before cranking.
- 3 If the outriggers are not installed, install all four Genie AWP outriggers.
- 4 Push the Super-Straddle into position next to the object to be straddled. Two people are required to position the Super-Straddle if the ground surface is sloped.
- 5 Lock the swivel casters closest to the object to be straddled in the desired direction of travel. To lock the swivel caster, pull out on the ring, turn the ring 90 degrees and let go.

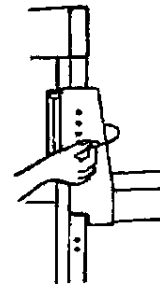


- 6 Adjust the outrigger screw jacks so the pads are close to, but do not touch, the ground surface.

- 7 Using the winches, raise the straddle platform to a level height just above the object to be straddled.



- 8 Install frame retaining pins at each corner of the Super-Straddle and release the tension on the winch cable. To insert frame retaining pins, align the holes and lift up on the gray tab on the pin retaining interlock box.



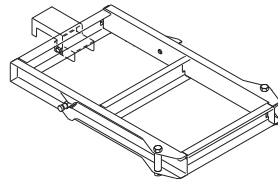
Note: Be sure to use the same hole position for both pins on one end frame.

- 9 If the cables are not connected, connect the electrical cables to the AWP sockets.
- 10 Carefully push the Super-Straddle over the object to be straddled and apply all four swivel caster brakes. If the ground surface is sloped, set and lock the swivel casters at a right angle to the slope. Two people are required to position the Super-Straddle if the ground surface is

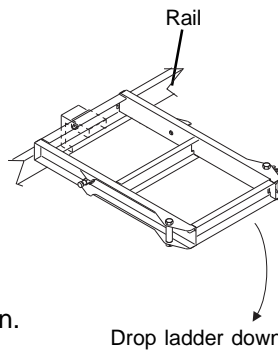
Operating Instructions

sloped.

- 11 Adjust the outrigger screw jacks so that the pads are in firm contact with the ground and the Super-Straddle casters are slightly off the ground. Use the bubble level on the Genie AWP to level the straddle platform. The bubble level is on the base of the AWP, below the interlock display.

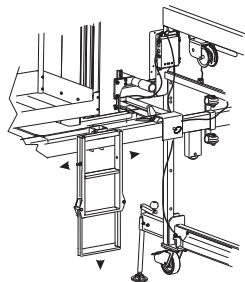


- 12 Open the C-hook on the ladder.



- 13 Position the ladder under the AWP platform entry. Place the C-hook over the rail and drop the ladder down.

- 14 Pull out the snap pins on each side of the ladder to lower the bottom step.



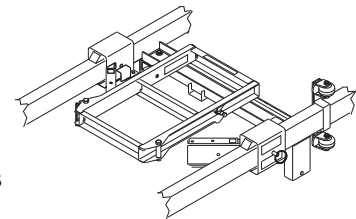
- 15 Operate the Genie AWP.

Lowering the Straddle Platform

- 1 Fully lower the Genie AWP.
- 2 Slightly raise the outriggers.
- 3 Carefully push the Super-Straddle away from the straddle object. Return the machine to a firm level surface.
- 4 Remove the frame retaining pins from each corner of the Super-Straddle. The holes must be aligned to remove the pins. Use the winch to align the holes if needed.
- 5 Turn the winch handle to lower the straddle platform. It may be necessary to lower one end frame part way and then lower the other end.
- 6 Continue turning the winch handles until both end frames are lowered.

Ladder Storage

Store the ladder on the base frame cross membrane.



To protect the safety and operating instruction decals from scuffs and scratches, do not store ladder over either end frame.

After Each Use

Select a safe storage location - firm level surface, weather protected, clear of obstruction and traffic.

Coil cord can be hooked to the end frame for storage.

Specifications

Operating Dimensions

Length	2.8 m
Width	94 cm
Height	1.8 m
Adjustable length	2.8 to 3.25 m
Straddle clearance height, maximum	1.2 m

Stowed Dimensions

Length	2.0 m
Width	94 cm
Height	61 cm
Lifting system	Dual winch
Caster diameter (four 4-position swivel locks with brake)	15.2 cm
Adjustable outriggers (required from Genie AWP)	4
Load capacity of Super-Straddle is the same as the load capacity of the Genie AWP being used.	
Weight	263 kg
Winch, rated load	680 kg
Minimum load to activate brake function	23 kg

Outrigger floor loading Information

SS + AWP-20S	239 kg
SS + AWP-25S	230 kg
SS + AWP-30S	252 kg
SS + AWP-36S	273 kg
SS + AWP-40S	274 kg

Note: Floor loading information is approximate and does not incorporate different option configurations. It should be used only with adequate safety factors.

Continuous improvement of our products is a Genie policy. Product specifications are subject to change without notice or obligation.

Genie Scandinavia

Phone +46 31 575100
Fax +46 31 579020

Genie France

Phone +33 (0)2 37 26 09 99
Fax +33 (0)2 37 26 09 98

Genie Iberica

Phone +34 93 579 5042
Fax +34 93 579 5059

Genie Germany

Phone +49 (0)4202 88520
Fax +49 (0)4202 8852-20

Genie U.K.

Phone +44 (0)1476 584333
Fax +44 (0)1476 584334

Genie Mexico City

Phone +52 55 5666 5242
Fax +52 55 5666 3241

Genie North America

Phone 425.881.1800
Toll Free USA and Canada
800.536.1800
Fax 425.883.3475

Genie Australia Pty Ltd.

Phone +61 7 3375 1660
Fax +61 7 3375 1002

Genie China

Phone +86 21 53852570
Fax +86 21 53852569

Genie Malaysia

Phone +65 98 480 775
Fax +65 67 533 544

Genie Japan

Phone +81 3 3453 6082
Fax +81 3 3453 6083

Genie Korea

Phone +82 25 587 267
Fax +82 25 583 910

Genie Brasil

Phone +55 11 41 665 755
Fax +55 11 41 665 754

Genie Holland

Phone +31 183 581 102
Fax +31 183 581 566

Distributed By: